

# COURSALIS 1500 (509615000M001B)

## GENERAL DATA



### HIGH PERFORMANCE AIR CURTAIN FOR TERTIARY

Exclusive arch design, light and superfine  
 High performance and low sound level  
 Metallic housing with paint finish in white colour  
 230V 50Hz motor

Impeller made of plastic (AS+fiberglass)  
 Includes external control by remote control  
 Designed for horizontal mural installation  
 Easy adjustable air direction  
 With operating indicator LED (ambient, air velocity and stop motion)  
 Mounting brackets on wall  
 Reach up to 3m.  
 The indicated weight does not include the packaging (± 2Kg.)

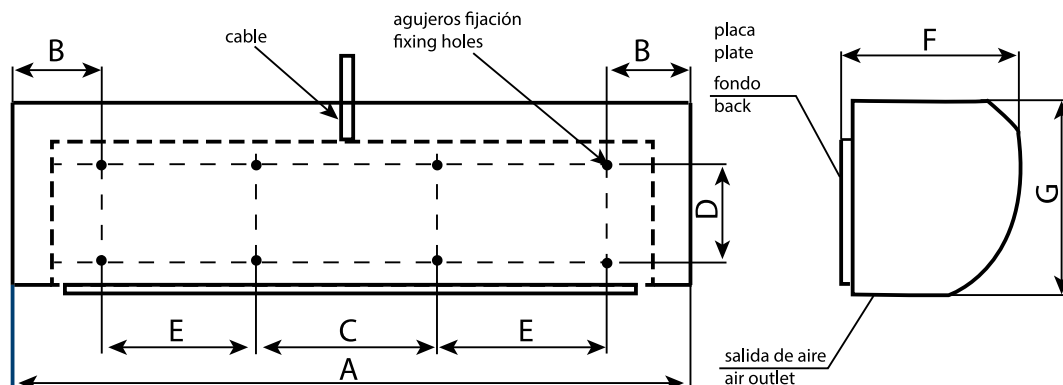
### APPLICATION

- Tertiary sector:
- Airports.
  - Schools
  - Malls.
  - Stores.
  - Supermarkets.
  - Train stations.
  - Hotels.
  - Restaurants
  - Pubs
  - Offices.
  - Banks
  - Gas stations
  - Logistics centers.
  - Industries, food industries.
  - Hospitals, clinics, health centers.
  - Veterinary clinics.
  - Refrigerated warehouses.

## TECHNICAL DATA

Fan							
RPM	1400	Approx. weight	21.8 kg	Max. Flow	2500 m³/h		
Motor							
Power	0,23 kW	RPM	1400	I max. (230V)	1,045 A	Approx. weight	0 kg

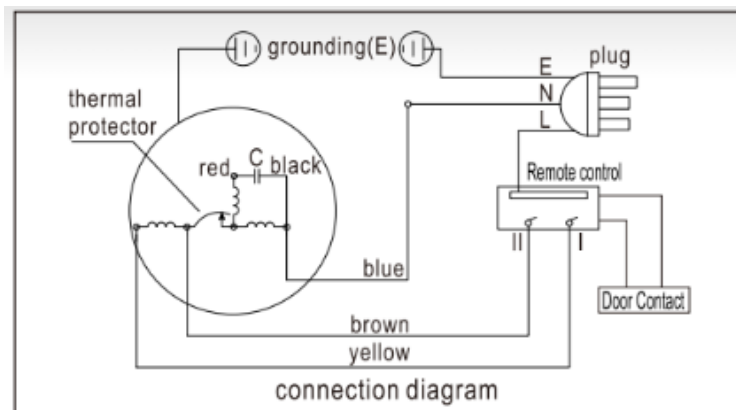
## DIMENSIONS



### Dimensions (mm)

A	1650	F	195	G	220
---	------	---	-----	---	-----

## WIRING DIAGRAM



## ACCESSORIES



**SAFETY SWITCH**  
INT 25 3P A  
REF: INT253PA



**MAGNETIC CONTACT DOOR SWITCH FOR COURSALIS**  
MDS Coursalis  
REF: 301034300

